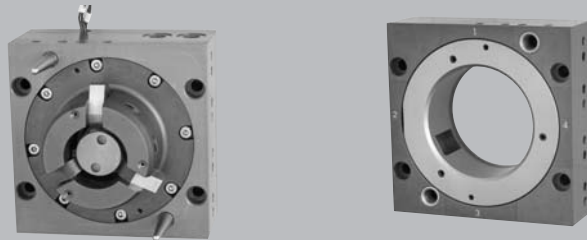


# MXC75 Modules Quick Connect

QuickConnect modular connection systems are designed for automated equipment that requires frequent connection and disconnection of utilities.



## Features and Benefits

- The family of QuickConnect System is the most flexible connection system on the market.
- 4 open module locations are provided for custom configuration of the MXC75 for your application.

## Applications

- Test Benches
- Robotic Tool Changing
- Power clamps and work holding fixtures
- Rotary Turntables
- Docking Systems

Not exactly what your application requires? Applied Robotics can design a solution that meets your particular application needs.

## Engineering Data



### ELECTRIC MODULE

Description	Weight	Pass through utilities	Connector	Material
<b>Master Adaptor</b>	0.18 kg/ 0.40 lb	28 contacts @ 5 Amp, 0-240 VAC/VDC	28 pin mil spec	Delrin w/Gold plated contacts
<b>Tool Adaptor</b>	0.15 kg/ 0.40 lb	28 contacts @ 5 Amp, 0-240 VAC/VDC	28 pin mil spec	Delrin w/Gold plated contacts

Master Adaptor overall dimensions 85.5 x 38 x 48.25 mm  
Tool Adaptor overall dimensions 85.5 x 38 x 36 mm

continued

## PNEUMATIC MODULE



Description	Weight	Pass through Utilities	Pressure	Cv	Material
<b>Master Adaptor</b>	0.25 kg/ 0.55 lb	(3) Check Valved 1/4 BSPP Ports	0 - 5 bar (0 - 220 psi)	1.11	Aluminum
<b>Tool Adaptor</b>	0.25 kg/ 0.55 lb	(3) 1/4 BSPP Ports	0 - 5 bar (0 - 220 psi)	1.11	Aluminum

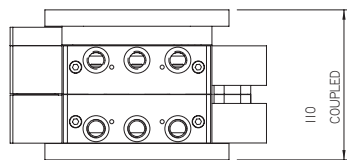
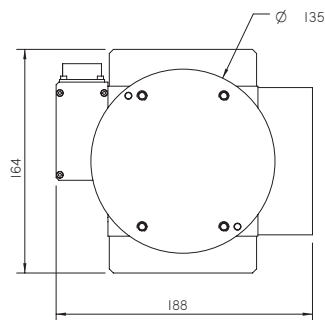
Master adaptor Overall dimensions: 108 x 27 x 35.5 mm  
 Tool adaptor Overall dimensions: 108 x 27 x 45 mm

## WATER/COOLANT MODULE



Description	Weight	Pass through Utilities	Pressure	Cv	Material
<b>Master Adaptor</b>	0.5 kg/ 1.10 lb	(3) Check Valved 1/4 BSPP Ports	0 - 6 bar (0 - 87 psi)	1.54	Aluminum / Chrome plated Brass
<b>Tool Adaptor</b>	0.46kg/ 1.10 lb	(3) Check Valved 1/4 BSPP Ports	0 - 6 bar (0 - 87 psi)	1.54	Aluminum/ Chrome plated Brass

Master adaptor Overall dimensions: 108 x 40 x 35.5 mm  
 Tool adaptor Overall dimensions: 108 x 40 x 40.5 mm



All dimensions in millimeters

