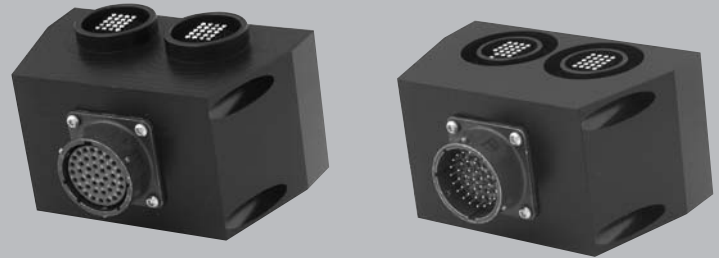


Sigma I/O Module

Highly interchangeable. Highly configurable.

The Sigma I/O Module is designed to work with the Sigma 3.1 and Sigma 5.1 tool change systems in a variety of applications – from spot welding and mold changing to pick-and-place operations.



Features and Benefits

- Flexible I/O module system supports different signal requirements
- Available with strain relief, connectors and pre-wired, ready-to-couple signal
- Modules are interchangeable between the Sigma 3.1 and Sigma 5.1 modules

Not exactly what your application requires? Applied Robotics can design a solution that meets your particular application needs.

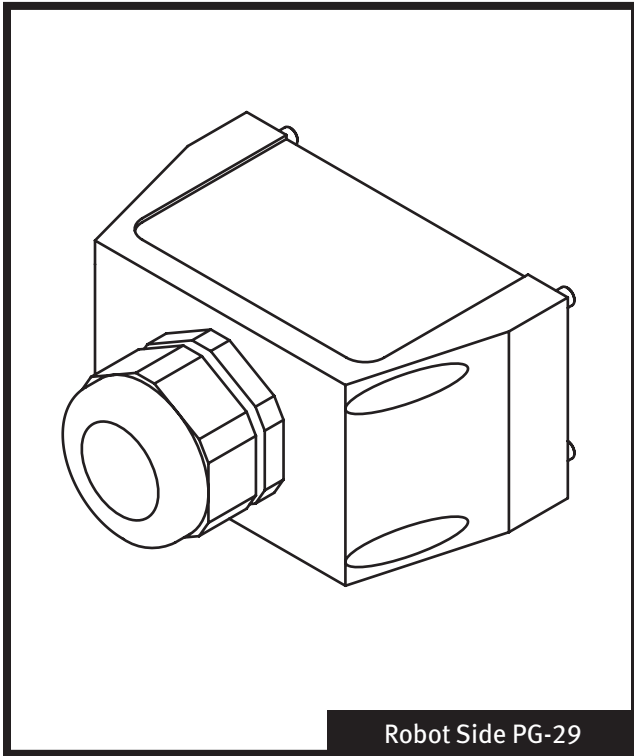
SPECIFICATIONS

Robot Module weight	0.94 kg / 2.1 lb
Tool Machine weight	0.84 kg / 1.9 lb
Current/Probe	5 amps
Resistance/Probe	50 (mOhm)
Wire Gauge for Receptacles	22 - 26 AWG

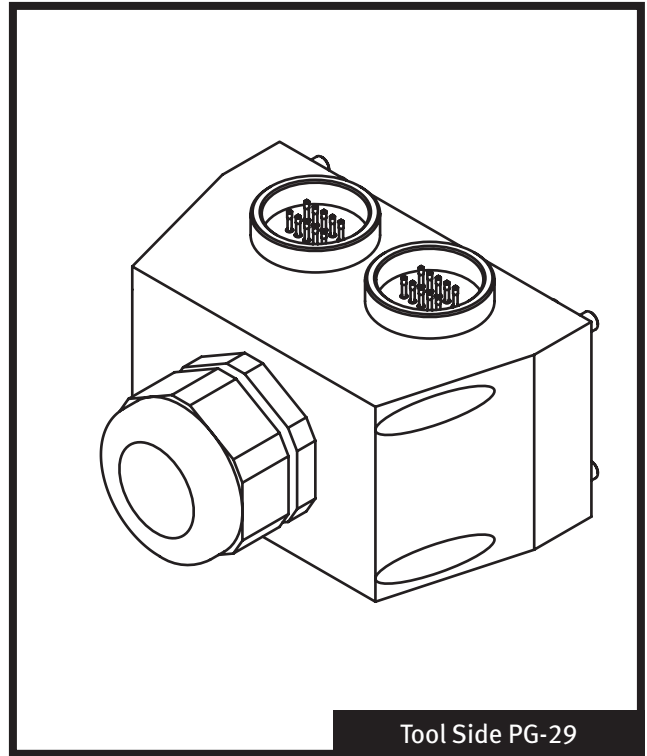
EXTERNAL ELECTRICAL MODULE

Order #	Description	Spring Force (lbf)	No. Probes		Mating Connector
			Total	User I/O	
S-EM-R-E-32.05-MS	XChange Electrical Module, Robot	25	40	32	KPT08F22-36S
S-EM-T-E-32.05-MS	XChange Electrical Module, Tool	25	40	32	KPT08F22-36P
S-EM-R-E-13.05-MS	XChange Electrical Module, Robot	12.5	20	13	MS3108B22-14S
S-EM-T-E-13.05-MS	XChange Electrical Module, Tool	12.5	20	13	MS3108B22-14P
S-EM-R-E-27.05-MS-VD*	XChange Electrical Module, Robot	25	40	29	KPT08F22-36S
S-EM-T-E-27.05-MS-VD*	XChange Electrical Module, Tool	25	40	29	KPT08F22-36P

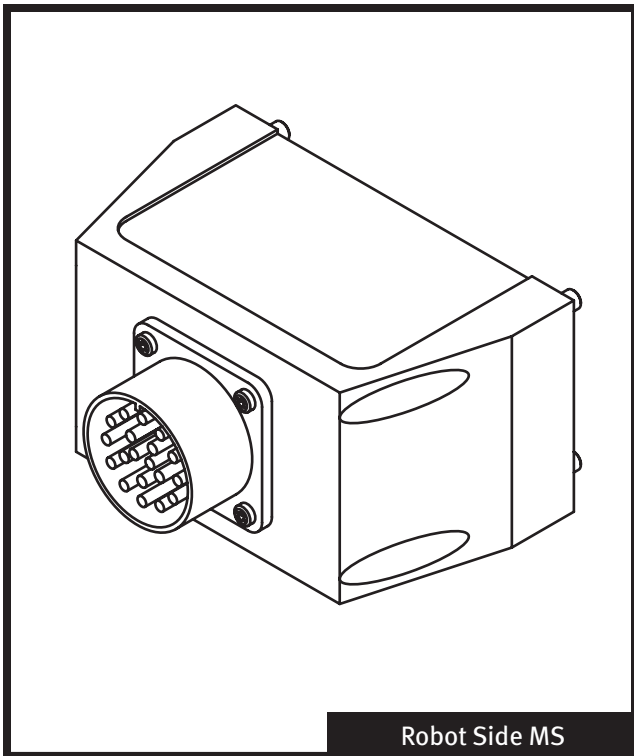
* need for use with valve module



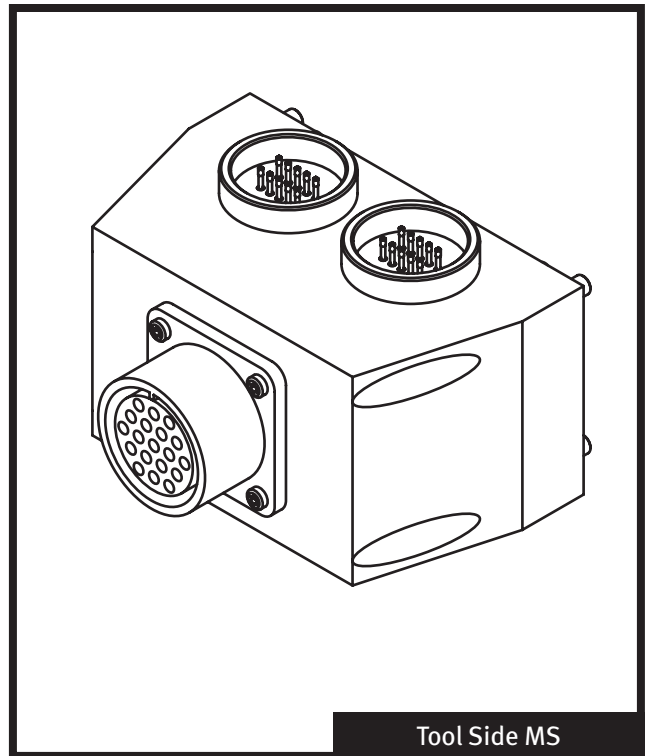
Robot Side PG-29



Tool Side PG-29



Robot Side MS



Tool Side MS