

MXC75 Modules Quick Connect

QuickConnect modular connection systems are designed for automated equipment that requires frequent connection and disconnection of utilities.



Features and Benefits

- The family of QuickConnect System is the most flexible connection system on the market.
- 4 open module locations are provided for custom configuration of the MXC75 for your application.

Not exactly what your application requires? Applied Robotics can design a solution that meets your particular application needs.

Applications

- Test Benches
- Robotic Tool Changing
- Power clamps and work holding fixtures
- Rotary Turntables
- Docking Systems

Note: Specifications provided are maximum recommended limits under static conditions. For correct product sizing, consideration must be given to all dynamic forces, including manipulator inertia, tooling configuration and external process forces.

Note: For correct product sizing, please contact our Tech Support staff at techsupport@arobotics.com or at (800)309-3475 or (518)384-1000.

Engineering Data



ELECTRIC MODULE

Description	Weight	Pass through utilities	Connector	Material
Master Adaptor	0.18 kg/ 0.40 lb	28 contacts @ 5 Amp, 0-240 VAC/VDC	28 pin mil spec	Delrin w/Gold plated contacts
Tool Adaptor	0.15 kg/ 0.40 lb	28 contacts @ 5 Amp, 0-240 VAC/VDC	28 pin mil spec	Delrin w/Gold plated contacts

Master Adaptor overall dimensions 85.5 x 38 x 48.25 mm
Tool Adaptor overall dimensions 85.5 x 38 x 36 mm

continued

PNEUMATIC MODULE



Description	Weight	Pass through Utilities	Pressure	Cv	Material
Master Adaptor	0.25 kg/ 0.55 lb	(3) Check Valved 1/4 BSPP Ports	0 - 5 bar (0 - 220 psi)	1.11	Aluminum
Tool Adaptor	0.25 kg/ 0.55 lb	(3) 1/4 BSPP Ports	0 - 5 bar (0 - 220 psi)	1.11	Aluminum

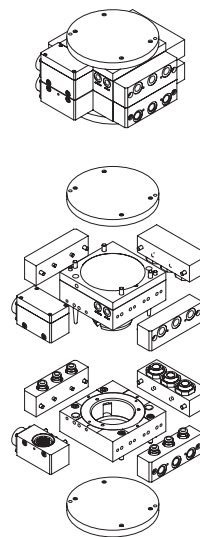
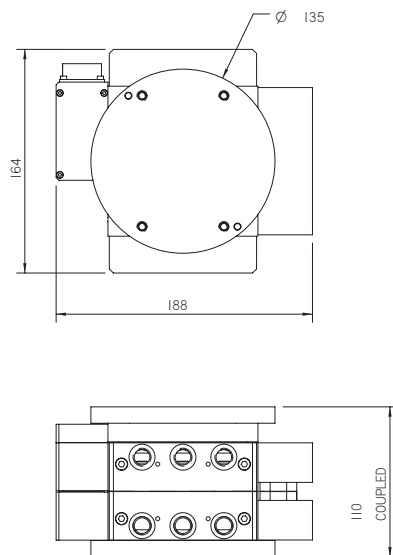
Master adaptor Overall dimensions: 108 x 27 x 35.5 mm
 Tool adaptor Overall dimensions: 108 x 27 x 45 mm

WATER/COOLANT MODULE



Description	Weight	Pass through Utilities	Pressure	Cv	Material
Master Adaptor	0.5 kg/ 1.10 lb	(3) Check Valved 1/4 BSPP Ports	0 - 6 bar (0 - 87 psi)	1.54	Aluminum / Chrome plated Brass
Tool Adaptor	0.46kg/ 1.10 lb	(3) Check Valved 1/4 BSPP Ports	0 - 6 bar (0 - 87 psi)	1.54	Aluminum/ Chrome plated Brass

Master adaptor Overall dimensions: 108 x 40 x 35.5 mm
 Tool adaptor Overall dimensions: 108 x 40 x 40.5 mm



All dimensions in millimeters

648 Saratoga Road
 Glenville, NY 12302 USA
 518 384 1000 tel
 518 384 1200 fax

29193 Northwestern Hwy. #509
 Southfield, MI 48034 USA
 248 358 3677 tel
 248 358 2654 fax

www.arobotics.com

