

# MXC160 Modules Quick Connect

QuickConnect modular connection systems are designed for automated equipment that requires frequent connection and disconnection of utilities.



## Features and Benefits

- The family of QuickConnect System is the most flexible connection system on the market.
- 4 open module locations are provided for custom configuration of the MXC160 for your application.

Not exactly what your application requires? Applied Robotics can design a solution that meets your particular application needs.

## Applications

- Test Benches
- Part Identification
- Robotic Tool Changing
- Mold Changing
- Rotary Turntables
- Docking Systems
- Power Clamps and work holding fixtures
- Pallet Coupling Systems

## Engineering Data



### ELECTRIC MODULE

Description	Weight	Pass through utilities	Connector	Material
<b>Master Adaptor</b>	0.18 kg/	28 contacts @ 5 Amp, 0-240 VAC/VDC	32 pin mil spec	Delrin w/Gold plated contacts
<b>Tool Adaptor</b>	0.15 kg/	28 contacts @ 5 Amp, 0-240 VAC/VDC	32 pin mil spec	Delrin w/Gold plated contacts

Master Adaptor overall dimensions 85.5 x 38 x 61 mm  
Tool Adaptor overall dimensions 85.5 x 38 x 36 mm

continued

## PNEUMATIC MODULE



Description	Weight	Pass through Utilities	Pressure	Cv	Material
<b>Master Adaptor</b>	0.34 kg/	(4) Check Valved 3/8 BSPP Ports	0.15 bar (0 - 220 psi)	1.11	Aluminum
<b>Tool Adaptor</b>	0.24 kg/	(4) 3/8 BSPP Ports	0.15 bar (0 - 220 psi)	1.11	Aluminum

Master adaptor Overall dimensions: 139.5 x 30 x 35mm  
 Tool adaptor Overall dimensions: 139.5 x 25 x 35mm



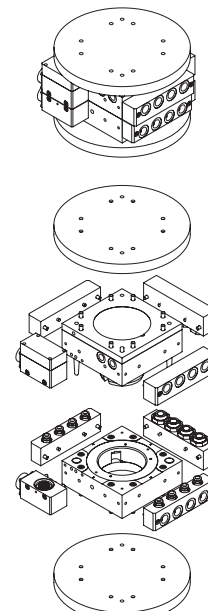
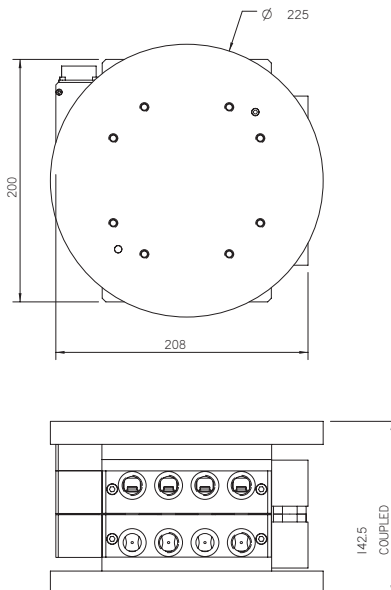
## WATER/COOLANT MODULE

Description	Weight	Pass through Utilities	Pressure	Cv	Material
<b>Master Adaptor</b>	0.59 kg/	(4) Check Valved 3/8 BSPP Ports	0 - 6 bar (0 - 87 psi)	1.54	Aluminum/ Chrome plated Brass
<b>Tool Adaptor</b>	0.59 kg/	(4) Check Valved 3/8 BSPP Ports	0 - 6 bar (0 - 87 psi)	1.54	Aluminum/ Chrome plated Brass

Master adaptor Overall dimensions: 139.5 x 30 x 38mm  
 Tool adaptor Overall dimensions: 139.5 x 30 x 38mm

Note: Specifications provided are maximum recommended limits under static conditions. For correct product sizing, consideration must be given to all dynamic forces, including manipulator inertia, tooling configuration and external process forces.

Note: For correct product sizing, please contact our Tech Support staff at [techsupport@arobotics.com](mailto:techsupport@arobotics.com) or at (800)309-3475 or (518)384-1000.



648 Saratoga Road  
 Glensville, NY 12302 USA  
 518 384 1000 tel  
 518 384 1200 fax

29193 Northwestern Hwy. #509  
 Southfield, MI 48034 USA  
 248 358 3677 tel  
 248 358 2654 fax

[www.arobotics.com](http://www.arobotics.com)

